

REVISIONS			
LTR	DESCRIPTION	DATE	APPROVED
A	Correct errors in table I and table III .	10 April 2012	Michael A. Radecki

CURRENT DESIGN ACTIVITY CAGE CODE 037Z3
HAS CHANGED NAMES TO:
DLA LAND AND MARITIME
COLUMBUS, OHIO 43218-3990

Prepared in accordance with [ASME Y14.100](#)

Source control drawing

REV STATUS OF PAGES	REV	A	A	A	A	A	A	A										
	PAGES	1	2	3	4	5	6	7										
PMIC N/A	PREPARED BY Ken Bernier								DESIGN ACTIVITY DEFENSE SUPPLY CENTER, COLUMBUS COLUMBUS, OH									
Original date of drawing 21 October 2009	CHECKED BY Ken Bernier								TITLE CAPACITORS, TANTALUM, HYBRID, HERMETICALLY SEALED									
	APPROVED BY Michael A. Radecki																	
	SIZE A	CODE IDENT. NO. 037Z3							DWG NO. 09022									
	SCALE N/A			REV A					PAGE 1 OF 7									

1. SCOPE

1.1 Scope. This drawing describes the requirements for tantalum hybrid capacitors, hermetically sealed in welded tantalum case with glass to metal anode terminal.

1.2 General. The capacitor shall utilize a sintered tantalum anode and ruthenium oxide coated cathodes operating in aqueous electrolyte. The components shall be hermetically sealed in a welded tantalum case with a glass to metal terminal seal.

1.3 Part or Identifying Number (PIN). The complete PIN is as follows:



2. APPLICABLE DOCUMENTS

2.1 General. The documents listed in this section are specified in sections 3 and 4 of this specification. This section does not include documents cited in other sections of this specification or recommended for additional information or as examples. While every effort has been made to ensure the completeness of this list, document users are cautioned that they must meet all specified requirements of documents in sections 3 and 4 of this specification, whether or not they are listed.

2.2 Government documents.

2.2.1 Specifications, standards, and handbooks. The following specifications, standards, and handbooks form a part of this document to the extent specified herein. Unless otherwise specified, the issues of these documents are those cited in the solicitation or contract.

DEPARTMENT OF DEFENSE STANDARDS

- [MIL-STD-202](#) - Test Methods for Electronic and Electrical Components Parts.
- [MIL-STD-1285](#) - Marking of Electrical and Electronic Parts.

(Copies of these documents are available online at <https://assist.daps.dla.mil/quicksearch/> or from the Standardization Document Order Desk, 700 Robbins Avenue, Building 4D, Philadelphia, PA 19111-5094.)

2.4 Order of precedence. Unless otherwise noted herein or in the contract, in the event of a conflict between the text of this document and the references cited herein, the text of this document takes precedence. Nothing in this document, however, supersedes applicable laws and regulations unless a specific exemption has been obtained.

3. REQUIREMENTS

3.1 Interface and physical dimensions. The interface and physical dimensions shall be as specified herein (see [figure 1](#)).

3.1.1 Case. The case shall be tantalum.

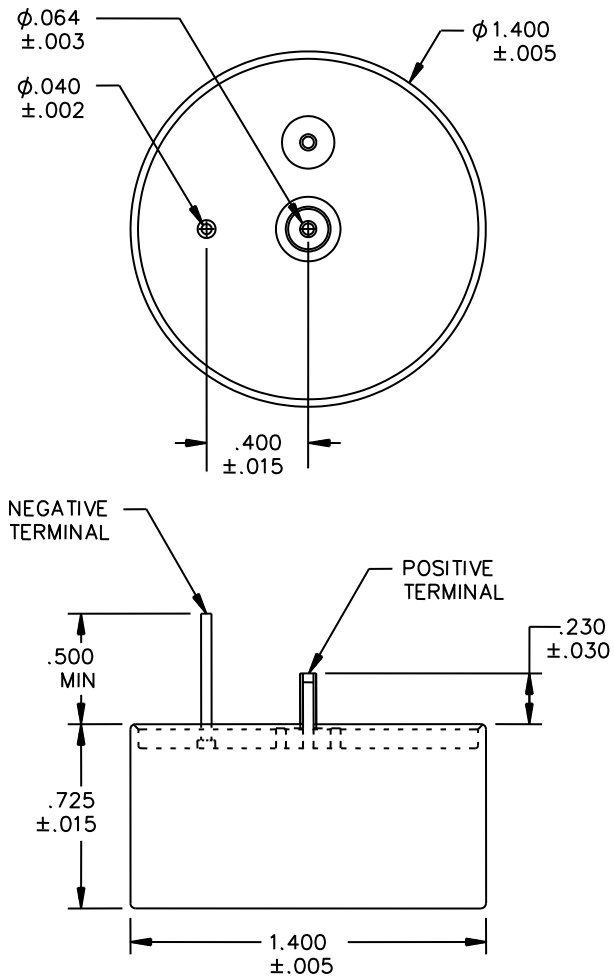
3.1.2 Mass. 0 – 50 volt parts: 100 ± 3 grams; 63 – 125 volt parts: 125 ± 3 grams.

3.1.3 Pure tin. The use of pure tin, as an underplate or final finish is prohibited both internally and externally. Tin content of capacitor components and solder shall not exceed 97 percent, by mass. Tin shall be alloyed with a minimum of 3 percent lead, by mass (see [6.3](#)).

3.1.4 Storage temperature. The storage temperature shall be -62°C to +130°C.

3.1.5 Operating temperature range. The operating temperature range shall be -55°C to +85°C, de-rated to +125°C.

DEFENSE SUPPLY CENTER, COLUMBUS COLUMBUS, OHIO	SIZE A	CODE IDENT NO. 037Z3	DWG NO. 09022
		REV A	PAGE 2



Inches	mm
.002	0.05
.003	0.08
.005	0.13
.015	0.38
.030	0.76
.040	1.02
.064	1.63
.230	5.84
.400	10.16
.500	12.70
.725	18.42
1.400	35.56

NOTES:

1. Dimensions are in inches.
2. Metric equivalents are given for general information only.

FIGURE 1. Case dimensions and configuration.

DEFENSE SUPPLY CENTER, COLUMBUS COLUMBUS, OHIO	SIZE A	CODE IDENT NO. 037Z3	DWG NO. 09022
		REV A	PAGE 3

3.2 Electrical characteristics.

3.2.1 Rated voltage. The rated voltage shall be in accordance with [table I](#) at -55°C to +85°C, de-rated to + 125°C.

3.2.2 Surge voltage. The test shall be 1000 cycles at 110 percent of rated voltage. Each cycle shall consist of a 30 second surge voltage application followed by a 330 second discharge period. The part shall be charged and discharged through a 1000 ohm resistor. The capacitor must not be visibly damaged and the electrical characteristics must remain within specification.

3.2.3 Dielectric. The dielectric shall be an aqueous electrolyte.

3.2.4 DC leakage current. The maximum DC leakage current shall be as specified in [table I](#) following 5 minutes at the working voltage and +25°C.

3.2.5 Capacitance. Capacitance shall be as specified in [table I](#) at 120Hz and +25°C, ±20%.

3.2.6 Capacitance tolerance. The capacitance tolerance shall be ±20 percent at +25°C.

3.2.7 Equivalent series resistance (ESR). The maximum equivalent series resistance (ESR) shall be as specified in [table I](#) at 1 kHz and +25°C.

TABLE I. Electrical characteristics.

DSCC drawing PIN 09022-	Capacitance (uF)	+85°C Rated voltage dc	+125°C Rated voltage dc	ESR max (ohms)	Leakage current max (µA)
01	200,000	10	6	0.025	300
02	120,000	16	9.5	0.025	300
03	70,000	25	15	0.025	300
04	50,000	35	21	0.025	300
05	30,000	50	30	0.025	400
06	16,000	63	37.5	0.035	400
07	11,000	80	48	0.035	500
08	7,500	100	60	0.035	500
09	4,500	125	75	0.050	500

3.3 Environmental characteristics.

3.3.1 Thermal shock. Thermal shock test shall be as specified in [table II](#).

3.3.2 Moisture resistance. Moisture resistance test shall be as specified in [table II](#).

3.3.3 Hermetic Seal. The capacitor shall be hermetically sealed such that the case does not leak electrolyte or vent any gas when exposed to a vacuum, per [MIL-STD-202, method 112](#), test condition C, procedure IIIa.

TABLE II. Environmental testing.

Test	Test Method	Condition	Details
Shock	MIL-STD-202, method 213	G	11mS @ 50g
Vibration	MIL-STD-202, method 204	D	12 Sweeps/Axis, 20g peak
Vibration	MIL-STD-202, method 214	I, Letter D	1.5 Hours/Axis, 12g rms
Moisture Resistance	MIL-STD-202, method 106		6 V Polarity
Thermal Shock	MIL-STD-202, method 107	A	
Altitude	MIL-STD-202, method 105	D	100,000 ft test

DEFENSE SUPPLY CENTER, COLUMBUS COLUMBUS, OHIO	SIZE A	CODE IDENT NO. 037Z3	DWG NO. 09022
		REV A	PAGE 4

3.4 Physical characteristics.

3.4.1 Shock. Shock test shall be as specified in [table II](#).

3.4.3 Resistance to solder heat. The capacitor shall withstand solder dipping of the terminals at +260°C for 10 seconds per [MIL-STD-202, method 210](#), test condition B. The capacitor shall not be visibly damaged and the electrical characteristics shall not be affected.

3.4.4 Terminal strength. The capacitor terminals shall withstand a 5-pound pull test for 30 seconds per [MIL-STD-202, method 211](#), test condition A. The capacitor shall not be visibly damaged and the electrical characteristics shall not be affected.

3.4.5 Solderability. The terminations shall be solderable per [MIL-STD-202, method 208](#).

3.4.6 Resistance to solvents. Resistance to solvents shall be in as specified in [MIL-STD-202, method 215](#).

3.4.7 Vibration. Vibration shall be as specified in [table II](#).

3.4.8 Altitude. Barometric pressure (reduced). Capacitors shall be tested using [MIL-STD-202, method 105](#), condition D.

3.4.9 Fungus. The capacitor materials shall not support fungus growth and shall not be a nutrient to fungus.

3.5 Recycled, recovered, or environmentally preferable materials. Recycled, recovered, or environmentally preferable materials should be used to the maximum extent possible, provided that the material meets or exceeds the operational and maintenance requirements, and promotes economically advantageous life cycle costs.

| 3.6 Certificate of compliance. A certificate of compliance shall be required from manufacturers requesting to be an approved source of supply.

| 3.7 Manufacturer eligibility: To be eligible for listing as an approved source of supply a manufacturer shall perform all testing specified herein on a sample of parts agreed upon by the manufacturer and DLA Land and Maritime-VA.

| 3.8 Marking. Marking shall be in accordance with [MIL-STD-1285](#), except the capacitor shall be marked with the PIN as specified herein (see [1.2](#)), the manufacturer's name or Commercial and Government Entity (CAGE) code, date code, lot symbol, and polarity.

3.9 Workmanship. The capacitor shall be uniform in quality and free from any defects that will affect life, serviceability, or appearance.

4. VERIFICATION

4.1 Qualification inspection. Qualification inspection is not required.

4.2 Conformance inspections.

| 4.2.1 Inspection of product for delivery. Inspection of product for delivery shall consist of dc leakage, capacitance, ESR, and the environmental tests of [table II](#).

| 4.2.2 Certification. The acquiring activity, at its discretion, may accept a certificate of compliance for [table II](#) requirements in lieu of performing [table II](#) tests (see [6.2d](#)).

5. PACKAGING

5.1 Packaging. For acquisition purposes, the packaging requirements shall be as specified in the contract or order (see [6.2](#)). When packaging of materiel is to be performed by DoD or in-house contractor personnel, these personnel need to contact the responsible packaging activity to ascertain packaging requirements. Packaging requirements are maintained by the Inventory Control Point's packaging activities within the Military Service or Defense Agency, or within the military service's system commands. Packaging data retrieval is available from the managing Military Department's or Defense Agency's automated packaging files, CD-ROM products, or by contacting the responsible packaging activity.

<p>DEFENSE SUPPLY CENTER, COLUMBUS COLUMBUS, OHIO</p>	<p>SIZE A</p>	<p>CODE IDENT NO. 037Z3</p>	<p>DWG NO. 09022</p>
		<p>REV A</p>	<p>PAGE 5</p>

6. NOTES

(This section contains information of a general or explanatory nature, which may be helpful, but is not mandatory.)

6.1 Intended use. Hybrid capacitors covered by this drawing are intended mainly for use in defense electronic systems, avionics, and weapon systems.

6.2 Ordering data. The contract or purchase order should specify the following:

- a. Complete PIN (see 1.2).
- b. Requirements for delivery of one copy of the conformance inspection data or certificate of compliance that parts have passed conformance inspection with each shipment of parts by the manufacturer.
- c. Requirements for packaging and packing.
- d. Whether the manufacturer performs the environmental tests of table II or provides certification of compliance with table II requirements (see 4.2.2).
- e. Requirements for notification of change of product to acquiring activity, if applicable.

6.3 Tin whisker growth. The use of alloys with tin content greater than 97 percent, by mass, may exhibit tin whisker growth problems after manufacture. Tin whiskers may occur anytime from a day to years after manufacturer and can develop under typical operating conditions, on products that use such materials. Conformal coatings applied over top of a whisker prone surface will not prevent the formation of tin whiskers. Alloys of 3 percent lead, by mass, have shown to inhibit the growth of tin whiskers. For additional information on this matter, refer to ASTM-B545 (Standard Specification for Electrodeposited Coatings of Tin).

6.4 Replaceability. Capacitors covered by this drawing will replace the same commercial device covered by contractor prepared specification or drawing.

6.5 Changes from previous issue. The margins of this specification are marked with vertical lines to indicate where changes from the previous issue were made. This was done as a convenience only and the Government assumes no liability whatsoever for any inaccuracies in these notations. Bidders and contractors are cautioned to evaluate the requirements of this document based on the entire content irrespective of the marginal notations and relationship to the last previous issue.

6.6 Users of record. Coordination of this document for future revisions are coordinated only with the approved sources of supply and the users of record of this document. Requests to be added as a recorded user of this drawing should be in writing to: DLA Land and Maritime, ATTN: VAT, Post Office Box 3990, Columbus, OH 43218-3990 or e-mailed to capacitorfilter@dla.mil or by telephone (614) 692-4709 or DSN 850-4709.

6.7 Approved sources of supply. Approved sources of supply are listed herein. Additional sources will be added as they become available. For assistance in the use of this drawing, contact DLA Land and Maritime, ATTN: VAT, Post Office Box 3990, Columbus, OH 43218-3990 or e-mailed to capacitorfilter@dla.mil or by telephone (614) 692-4709 or DSN 850-4709.

<p style="text-align: center;">DEFENSE SUPPLY CENTER, COLUMBUS COLUMBUS, OHIO</p>	<p style="text-align: center;">SIZE A</p>	<p style="text-align: center;">CODE IDENT NO. 037Z3</p>	<p style="text-align: center;">DWG NO. 09022</p>
		<p style="text-align: center;">REV A</p>	<p style="text-align: center;">PAGE 6</p>

TABLE III. Similar vendor PIN.

DSCC drawing PIN <u>1/</u> 09022-	EVANS CAPACITOR Vendor A similar PIN
01	THQ4010204
02	THQ4016124
03	THQ4025703
04	THQ4035503
05	THQ4050303
06	THQ4063163
07	THQ4080113
08	THQ4100752
09	THQ4125452

1/ Parts must be purchased to the DLA Land and Maritime PIN to assure that all the performance requirements and tests are met.

Vendor	Vendor CAGE	Vendor's name and address
A	06MN5	Evans Capacitor Company 72 Boyd Avenue East Providence, RI 02914-1202

DEFENSE SUPPLY CENTER, COLUMBUS COLUMBUS, OHIO	SIZE A	CODE IDENT NO. 037Z3	DWG NO. 09022
		REV A	PAGE 7