

	Product Specification	NUMBER	THQ2
	HYBRID[®] CAPACITOR	ISSUE	01
		REVISION	C
		DATE	10/11/18

1.0 Scope

This document contains specific electrical, mechanical, and environmental requirements and specifications for THQ2 series Tantalum case Hybrid[®] Capacitors. These specifications are subject to change without notice.

2.0 Construction

2.1 General

The capacitor shall utilize a sintered tantalum anode and ruthenium oxide coated cathodes operating in aqueous electrolyte with additives. The components shall be hermetically sealed in a welded tantalum case with a glass-to-metal anode terminal seal.

2.2 Package

The configuration and dimensions shall be as per Figure 1.

2.3 Mass

0-50 volt parts: 62 ± 3grams; 63-125 volt parts: 75 ± 3 grams.

2.3 Hermetic Seal

The capacitor shall be hermetically sealed such that the case does not leak electrolyte or vent any gas when exposed to a vacuum, per MIL-STD- 202, Method 112, Condition C, Procedure IIIa.

2.4 Part Markings

The capacitor shall be permanently and legibly labeled with the following information. The markings shall be resistant to solvents per MIL-STD-202, Method 215J.

- i. Manufacturer's name and cage code
- ii. Manufacturer's part identification number
- iii. Capacitance
- iv. Working voltage
- v. Date/lot code
- vi. Unique Serial Number
- vii. Polarity

2.5 Solderability

The terminations shall be solderable per ANSI J-STD-002.

2.6 Resistance to Soldering Heat

The capacitor must withstand solder dipping of the terminals at 260°C for 10 seconds per MIL-STD-202, Method 210, Condition B. The capacitor must not be visibly damaged, and the electrical characteristics must not be affected.

2.7 Terminal Strength

The capacitor terminals must withstand a 5-pound pull test for 30 seconds per Mil-Std-202, Method 211, Condition A. The capacitor must not be visibly damaged, and the electrical characteristics must not be affected.

2.8 Fungus Resistance

The capacitor materials shall not support fungus growth and shall not be a nutrient to fungus.

3.0 Environmental Requirements

3.1 Operating Temperature

-55°C to +85°C or 125°C with voltage derating (see Table 2).

3.2 Storage Temperature

-62°C to +130°C

3.3 Environmental Testing

The capacitor shall be designed to withstand environmental testing in accordance with Table 1. During testing the capacitor case shall be rigidly clamped to the test fixture with the leads upright. The capacitor must not be visibly damaged, and the electrical characteristics must remain within specification.

Table 1. Environmental Testing

	TEST	TEST METHOD	CONDITION	REMARKS
1	SHOCK	MIL-STD-202 METHOD 213	G	11 mS @ 50g
2	VIBRATION	MIL-STD-202 METHOD 204	D	12 Sweeps/Axis, 20g peak
3	VIBRATION	MIL-STD-202 METHOD 214	II, Letter E	1.5 Hours/Axis, 19.64g rms
4	MOISTURE RESIS.	MIL-STD-202 METHOD 106		6 V Polarity
5	THERMAL SHOCK	MIL-STD-202 METHOD 107	A	
6	ALTITUDE	MIL-STD-202 METHOD 105	D	100 000 ft test

4.0 Electrical Requirements

4.1 Capacitance

The capacitance is specified in Table 2 at 120 Hz and 23°C, ± 20%.

4.2 Working Voltage

The working voltage rating is from 0 to V as specified in Table 2.

4.3 Surge Voltage

The test shall be 1000 cycles at 110% of rated voltage at 85°C. Each cycle shall consist of a 30 second surge voltage application followed by a 330 second discharge period. The part shall be charged and discharged through a 1000-ohm resistor. The capacitor must not be visibly damaged, and the electrical characteristics must remain within specification.

4.4 Equivalent Series Resistance

The maximum equivalent series resistance (ESR) is specified in Table 2 at 1 kHz and 23°C.

4.5 DC Leakage Current

The maximum DC leakage current is specified in Table 2 following 5 minutes at working voltage and 23°C.

5.0 Life Testing

The operational life shall be greater than 2000 hours at 85°C and rated voltage or greater than 2000 hours at 125°C rated voltage.

Table 2. Electrical Specifications

V (VDC) 85°C	Capacitance	Part Number	V (VDC) 125°C	DCL (max)	ESR (max)
10 V	100,000 µF	THQ2010104	6 V	225 µA	0.037 Ω
16 V	60,000 µF	THQ2016603	9.5 V	225 µA	0.037 Ω
25 V	36,000 µF	THQ2025363	15 V	225 µA	0.050 Ω
35 V	24,000 µF	THQ2035243	20 V	225 µA	0.050 Ω
50 V	16,000 µF	THQ2050163	30 V	290 µA	0.060 Ω
63 V	8,000 µF	THQ2063802	38 V	290 µA	0.070 Ω
80 V	5,600 µF	THQ2080562	48 V	350 µA	0.070 Ω
100 V	3,800 µF	THQ2100382	60 V	350 µA	0.090 Ω
110 V	3,000 µF	THQ2110302	65 V	350 µA	0.140 Ω
125 V	2,200 µF	THQ2125222	75 V	350 µA	0.140 Ω

PART NUMBER DESCRIPTION: (THQ2) (XXX) (XXX) (K) (SMXX)

Part Series Voltage Rating Cap Rating Optional ±10% tolerance Optional Stud Mount

OPTIONAL STUD MOUNT (DIM B = 0.80")

PART NUMBERS	STUD LENGTH (DIM A)
THQ2XXXXXXXXSM00	0.22 INCH
THQ2XXXXXXXXSM01	0.28 INCH
THQ2XXXXXXXXSM02	0.41 INCH
THQ2XXXXXXXXSM03	0.16 INCH
THQ2XXXXXXXXSM04	0.19 INCH
THQ2XXXXXXXXSM05	0.36 INCH

STUDS ARE #2 – 56 CDA 752

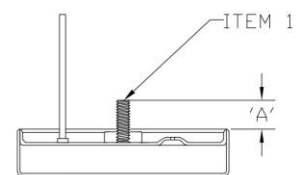
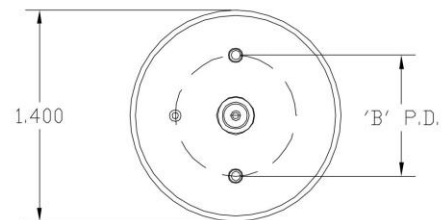
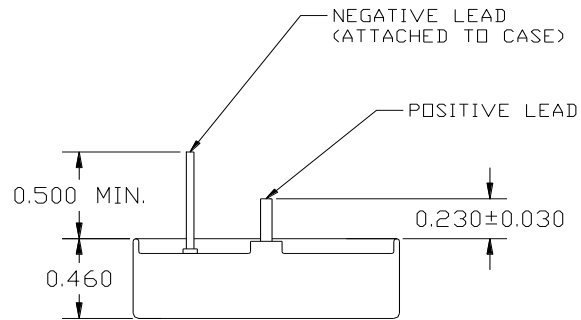
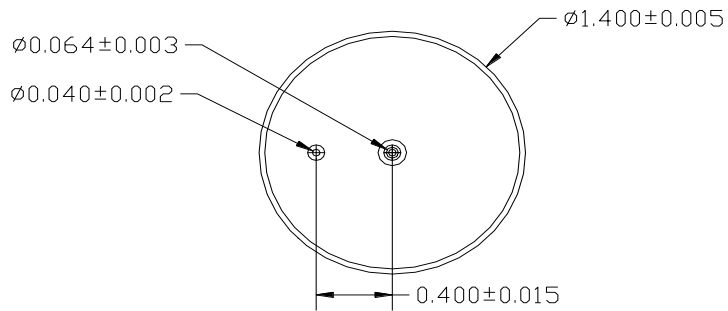


Figure 1. Part Sketch.



EVANS CAPACITOR COMPANY THQ2 SERIES CAPACITOR SPECIFICATION